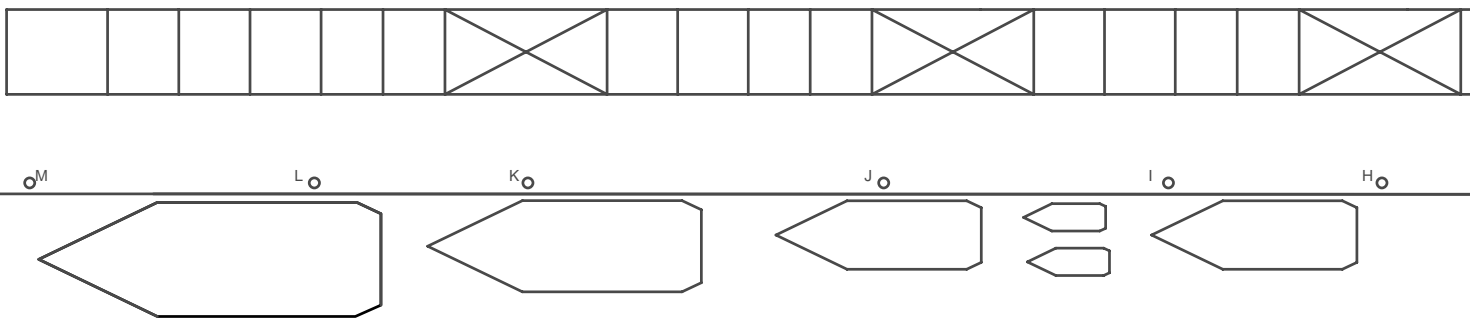




- * A20 Marine Technology Reporter
- A100 SEISMIC ASIA PACIFIC LTD
- A115 Oceanering International. Inc.
- A120 Environmental Technologies Limited
- A125 International Ocean Systems and Underwater Contractor Intern
- A245 Blue Marble Geographics
- A265 International Transducer Corp
- A350 ASL Environmental Sciences
- B325 Sound Metrics Corp.
- B115 Gill Instruments Ltd
- B550 C.R. Encapsulation Ltd
- C725 Wireless Fibre Systems Ltd
- C745 ETL (Explocean Technology Ltd)
- D710 MaRE Trans. Ltd.
- D715 Sea Technology Magazine
- G605 Datawell
- J650 Shanghai Huace Navigation Technology LTD
- K15 J & S Ltd
- K600BriteX NDT Ltd
- K600Trelleborg Protective Products
- K600Falmouth Divers Limited
- K600Northern Diver
- K600Osiris Marine Services Ltd
- K600GASMS Ltd
- L155 ASD Sentsortechnik GmbH
- L450 Umblicals International
- M205 British Geographical Survey
- M235 Zupt LLC
- M255 Advanced Orientation Systems Inc
- M500 Mettler Toledo UK
- M550 ASK SUBSEA
- M620 Hi-Target Survey Instrument Co.Ltd
- M650 C.A. Class(UK) Limited
- N400 Submarine Manufacturing & Products Ltd
- N450 The Acclaimed Software Co Ltd
- N505 Reel Group
- N525 Vaisala
- N605 Lockheed Martin Sipplan
- N655 Swale Oceanographic
- P100 Wish Software Limited
- P120 Chambers Oceanics
- P125 Wuxi Haiying-Cai Tec. Marine Technology Co Ltd
- P130 Government of Canada
- P400 Indepth International
- P455 Seazone Solutions Limited
- R90 Measurement Technology NW
- R100 Ocean Networks Canada
- R120 Ambassador Tapes Limited
- R140 OceanScan
- R160 ALS MARINE Ltd
- R180 GO Science Ltd
- R200 Hangzhou Applied Acoustics Research Institute(HAARI)
- R205 Turo Technology Ltd
- R220 Sensor Technology Ltd
- R240 Cygnus Instruments Ltd
- R260 Arc Controls Inc
- R300 P.P. Shirshov Institute of Oceanology
- R320 ACSM Agencia Maritima
- R360 Fastwave Communications
- R400 Neptune Geomatics
- R460 Topcon Europe Positioning B.V.
- R405 Indepth Subsea



Oceanology International 9th - 11th March 2010



Sales Contact:	
Organising Contact :	
Show Name:	Oi 10
Issue:	44
Issue Date:	11/03/10
Updated By:	Piers Innes
Updated:	16.02.10

Reed Exhibitions
 Tel: +020 8910 7910 Fax: +020 8940 2171